

Product Introduction



Product Name: Smart Audio Glasses

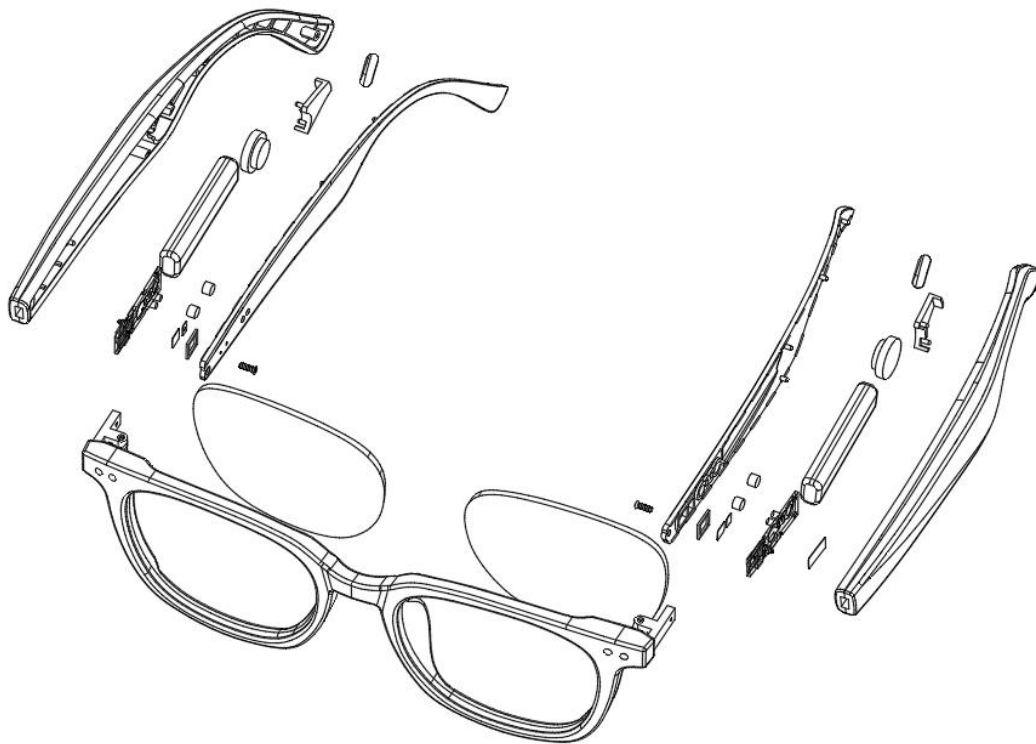
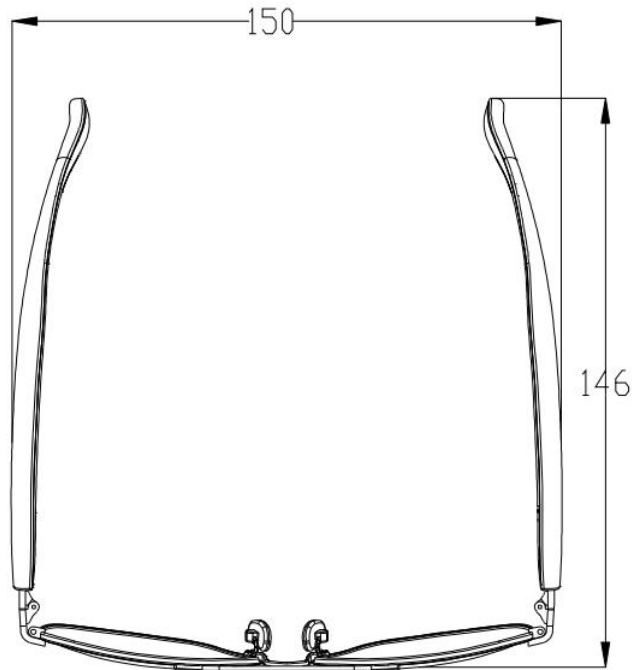
Model: SD-G9

Chip: AB5756C

Update Date:

Version: V1.1

1. Product Size & Exploded view



2. Product Specification

2.1. Smart Glasses Spec.

Bluetooth / Pairing Name	SD-G9 / G9 / Customize Name	
Product Name	Smart Audio Glasses	
Support Protocol	A2DP、HFP	
Distance	10M	
Sound Pressure Level	+2.5dB	
Speaker Impedance	7Ω	
Signal-to-noise Ratio	97dB	
Charging Voltage	5V	
Charging Port	Magnetic Charge	
Bluetooth Solution	AB5756C	
Bluetooth Version	Bluetooth V5.4	
Control Mode	Touch Control	
Working Frequency	2.402GHZ-2.480GHZ	
Battery	Type	Lithium-ion polymer battery
	Protection plate type	Ordinary protection board
	Capacity	55mAH *2
	Charging Time	1H
Music Time (70% Volume)	~9 Hours	
Call Time (70% Volume)	~8 Hours	
Standby Time	~30Hours	
Language	Chinese / English prompt tone	
Earphone Charging Current	0.5A	
Audio Decoding Mode	SBC/AAC	

3. Speaker Specification

Speaker Diameter	F10mm
------------------	-------

4. Product Instructions (UI)

No.	Function	Description	LED Status	English (Chinese) Prompt Tone
1	Power On	Press and hold the multi-function touch panel on each temple for 3 seconds to turn on the device	White light flashes slowly	Power On (开机)
2	Power Off	1. Press and hold the left or right temple touch panel for 4 seconds. 2. The glasses will automatically shut down while charging (It will be off after charging is complete). 3. If the glasses are powered on and unconnected for 5 minutes, it will automatically shut down.	White light flashes 2 times and then goes out	Power Off (关机)
3	Pairing	After both sides are powered on, the glasses will automatically enter the left and right matching mode.	When entering the left-right pairing mode, the white lights on both sides flash slowly. After the left-right pairing is successful, the left slave light goes out; the right master light still flashes slowly, waiting to pair with the phone.	/
4	Charging	The magnetic charging cable is connected to the left and right temple charging spots for charging	The white light is on when charging and turns off when fully charged.	/
5	Bluetooth Connection	After the left and right temples of the glasses are successfully paired, turn on the Bluetooth on your phone and search for the Bluetooth device name: 'G9' and click Connect	The product indicator light turns off after the phone is connected	Connected (连接成功)
6	Bluetooth	After turning off the Bluetooth of the mobile phone, the smart glasses will disconnect from the	White light flashes slowly	Disconnected (断开连接)

	Disconnection	mobile phone		
7	Low battery warning	Low battery reminder every 60 seconds	The red light flashes quickly once every 10 seconds	Low battery
8	Previous Song	When music is playing, triple-click the right temple touch panel to play the previous song.	/	/
9	Next Song	When music is playing, double-click the right temple touch panel to play the previous song		/
10	Play and Pause	When music is playing, short press the left/right temple touch panel to play/pause music	/	/
11	Answering / Hang up a call	<p>1. During an incoming call or a call in progress, short-press the left or right temple to answer or end the call.</p> <p>2. While on a call, to end the current call and answer a second incoming call, single-tap the left or right temple touch panel.</p> <p>3. While on a call, to hold the current call and answer a second incoming call, double-tap the left or right temple touch panel.</p>	/	/
12	Reject a call	When a call comes in, double-click the left/right temple touch panel to reject the call	/	/
13	Voice Assistance	Press and hold the left/right leg touch panel for 2 seconds and release it after hearing a "beep" sound to activate/deactivate the voice assistant	/	/
14	Chinese and English language switching	Switch between Chinese and English: After powering on, when not connected, double-click the left/right touch panel until the voice prompt sounds.	/	English (中文)
15	Volume +	double-click the left temple touch panel to increase the volume	/	Prompt at maximum volume dong~dong
16	Volume -	Triple-click the left temple touch panel to decrease the volume	/	/